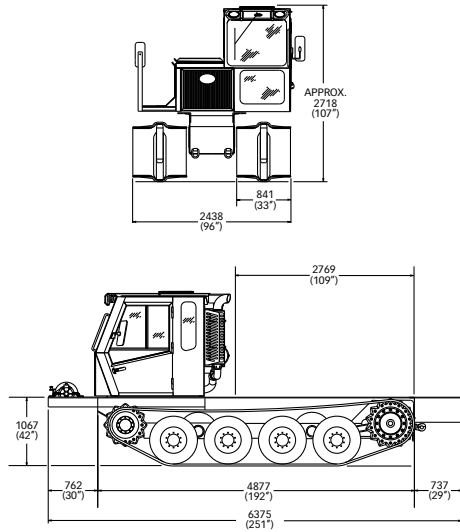


GO-TRACT™ 1600



Pinotti



EPA-CERTIFIED

The EPA-certified Perkins engine is installed, tested and certified in conjunction with the entire vehicle. PRINOTH's commitment to exceptional quality results in this utility vehicle line-up that meets EPA Tier 3 standards.



The color gray is used only for illustration purposes.

DIMENSIONS

Overall length without extension	4 877 mm	192 in
Overall width	2 438 mm	96 in
Overall height	2 718 mm	107 in
Ground clearance	427 mm	17 in

PERFORMANCE

Curb weight (basic vehicle)	8 262 kg	18 215 lb
Payload	7 257 kg	16 000 lb
Maximum speed	8.6 km/h	5.3 mph
Fording depth	1 055 mm	42 in
Turning radius	0 m	0 in
Ground pressure	no penetration	6 in penetration
Basic vehicle	194 g/cm ² (2.77 psi)	144 g/cm ² (2.05 psi)
Loaded vehicle	365 g/cm ² (5.20 psi)	270 g/cm ² (3.85 psi)
Gradeability		
Uphill / downhill	60%	31°
Sidehill	40%	21.8°

ENGINE

Make	Perkins	
Model	1106 D	
Type	Turbo diesel, electronic fuel system, EPA Tier 3 and EU Stage IIIA.	
Number of cylinders	6	
Displacement	6.6 L	403 in ³
Power @ 2 200 rpm	144 kW	193 hp
Torque @ 1 400 rpm	846 N·m	624 lb·ft

TRANSMISSION

	Make	Type
Pump drive	Funk	Triple pad
Hydrostatic pumps	Sauer-Danfoss	Axial, variable displacement
Hydrostatic motors	Sauer-Danfoss	Axial, fixed displacement
Planetaries	Bonfiglioli Trasmital	

CONTROL

Type	Microcontroller with color display
Inputs	Steering wheel, progressive front - neutral - reverse lever and speed pedal
Outputs	Independent control of each track
Other features	Anti-stall

ELECTRICAL

Voltage	12 V
Alternator	120 A
Battery capacity	2 X 950 CCA

SUSPENSION

Type	Walking beam
------	--------------

WHEELS

Quantity	8
Type	Solid
Dimensions	650 X 16

TRACKS

Type	Hardened steel with rubber belt	
Width	838 mm	33 in
Belt	Rubber, 5-ply	
Tensioner	Grease-filled cylinder	

CHASSIS

Type	Tube
Drain plug	Yes
Access panels	Yes

CAPACITIES

Cooling system	28 L	7 US gal
Fuel tank	250 L	66 US gal
Hydrostatic tank	53 L	14 US gal

PROVISION FOR EXTRA HYDRAULIC PUMP

Location	Top pad on triple pump drive
Flange type	SAE B - 4 in dia. pilot
Shaft type	SAE B - 13 teeth, 16/32 pitch
Direction of rotation	CCW (when looking at pump shaft)
Max rotational speed	3 390 rpm

OPTIONAL EQUIPMENT

- One-person or two-person cab
- Heavy duty brushguards
- Rear pintle hook
- External mirrors (heated available)
- Amber beacon light
- Remote controlled directional spotlight
- Electronic inclinometer
- Air conditioning
- Arctic package
- Front and rear extensions
- Winch
- Blade
- High flow hydraulic capabilities for: drills, cranes, knuckle booms, man lifts, digger derricks, backhoes and many accessories
- 6-ply belt track available
- 3rd battery available

©2009 PRINOTH Ltd. All rights reserved. ® and TM are trademarks of PRINOTH Ltd. PRINOTH Ltd. reserves the right to change or discontinue any specifications, designs, features, models or accessories shown or indicated without notice.